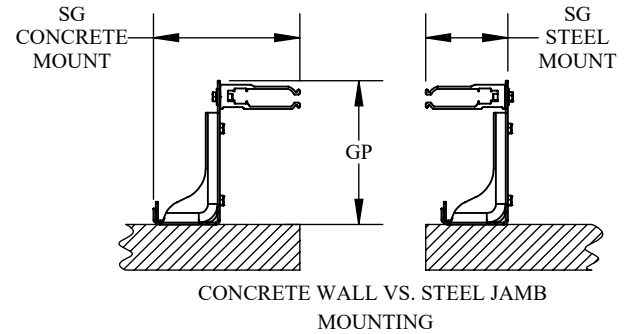


DOOR DIMENSIONS		
OW	OPENING WIDTH	
OH	OPENING HEIGHT	
SL	SIDEROOM LEFT	9.5"
SR	SIDEROOM RIGHT	9.5"
SO	SIDEROOM OPERATOR	13"
SG	SIDEROOM GUIDE (CONCRETE/STEEL)	9.25 / 5.25"
H	HEADROOM (O.H > 17' 0" / O.H. <= 17' 0")	37 / 32.5"
HO	HEADROOM OPERATOR (O.H > 17' 0" / O.H. <= 17' 0")	34 / 29.5"
P	PROJECTION HEADER (O.H > 17' 0" / O.H. <= 17' 0")	34.5"
PO	PROJECTION OPERATOR	39.125"
GP	GUIDE PROJECTION
PP	PROJECTION PHOTOCCELL (OPTIONAL)	16.5"
W1xH1xD1	CONTROL PANEL	20"Wx24"Hx8"D
W2xH2xD2	TRANSFORMER	n/a
OPTIONAL HOOD DIMENSIONS		
SLH	SIDEROOM LEFT HOOD	18"
SRH	SIDEROOM RIGHT HOOD	12"
HH	HEADROOM HOOD (O.H > 17' 0" / O.H. <= 17' 0")	39.5 / 34.5"
PH	PROJECTION HOOD	42.5"



Interior Mount On External Wall
LEFT HAND DOOR SHOWN

TNR INDUSTRIAL DOORS INC.

DRAWING NUMBER: D-600-0158 - REL **HD SERIES**

DOOR MODEL: HDSD_3050 Chain Drive High-Speed Sprung Door

END USER:

DEALER:

DOOR SIZE:

DW REFERENCE #: